

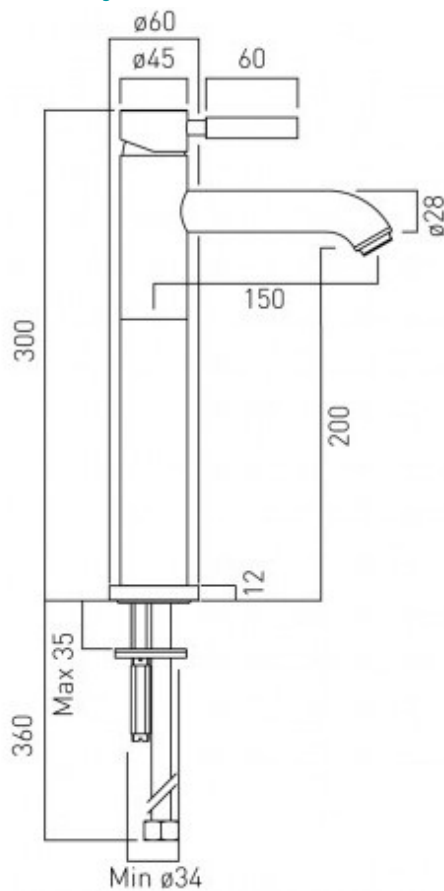


Technical sheet:

chrome with chrome handle: NUA-100E/SB-C/P
chrome with black handle: NUA-100E/SB-C/BLK
chrome with red handle: NUA-100E/SB-C/RED
chrome with white handle: NUA-100E/SB-C/WHT



technical drawing



description:

extended mono basin mixer single lever deck mounted smooth bodied without clic-clac waste with chrome handle

finishes:

chrome with chrome handle
chrome with black handle
chrome with red handle
chrome with white handle

minimum operating pressure: 0.3 bar LP

Eco flow regulator: FR-100/5-PLA

guarantee:

chrome with chrome handle: 12 year guarantee
chrome with black handle: 12 year guarantee
chrome with red handle: 12 year guarantee
chrome with white handle: 12 year guarantee